



With a focus on elegant contemporary design and comfort, the wall mounted porcelain toilet complements any installation.

- Low water consumption with reliable flush and discharge.
- Easy to clean with no inside edge. Designed for easy maintenance.
- High quality vitreous china bowl with hygienic nozzle flushing.

Disclaimer

Note: Our products and services are offered and sold subject to Jets Vacuum AS' General Sales Conditions, copies of which will be furnished upon request. Information provided herein is solely for information purposes, does not constitute any warranty or representation of any kind and is subject to change without notice. We strive to reproduce product colors reasonably accurate. Without prior written approval, this document or any part of may not be reproduced in any form. Jets™, Vacuumarator™, Helivac™, VC™, VOD™, CVS™ and Softsound™ are trademarks and/or registered trademarks of Jets. © Jets AS. All rights reserved.

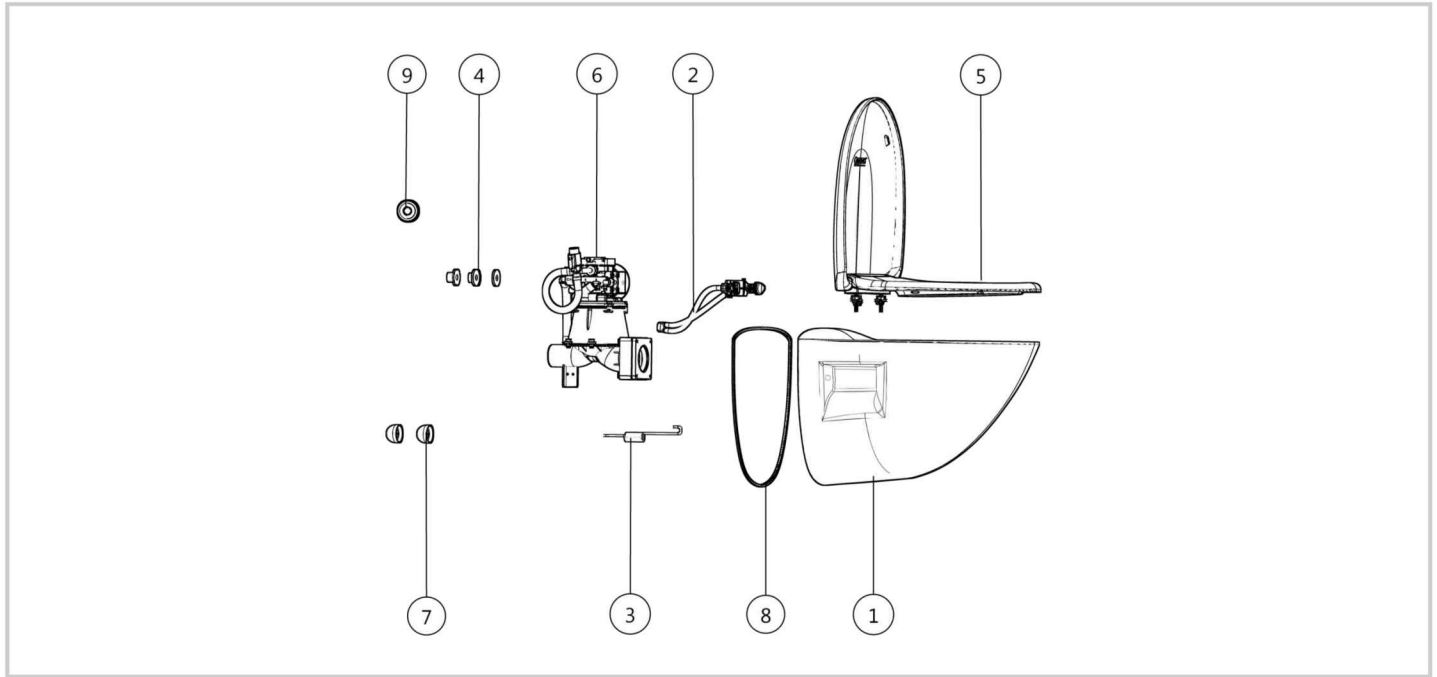
Technical Data

Outside Dimensions.....	540 x 370 x 400 mm (LxWxH)
Weight.....	Approx. 24 kg
General Tolerance.....	Bowl dimensions ±2%
Discharge Valve Outlet.....	Ø 50 mm
Water Connection.....	1/2" male BSP
Generic Material.....	Porcelain
Coating.....	Vitreous China

Operating Data

Flushing Time.....	5 seconds
Discharge Time.....	2 seconds
Water Pressure.....	2-7 bar
Operating Vacuum.....	Recommended 30-55 % Vacuum
Air Consumption.....	Approx. 48 liters at 50% Vacuum
Water Consumption.....	1L (3 bar)
Temperature Range.....	Minimum 1°C to Maximum 60°C (unless frost protection measures are taken)

Note:.....Values may vary depending on selected components



Components

1 Toilet Bowl JETS Charm Wall	066607100*
2 Flushing Nozzle Kit	069503165*
3 Spring	053531720*
4 Fastening Kit, wall	069606400*
5 Seat & Cover	See selected product
6 Valve	See selected product
7 Cap	069606304*
8 Coaming	037609312*
9 Release Button	See selected product

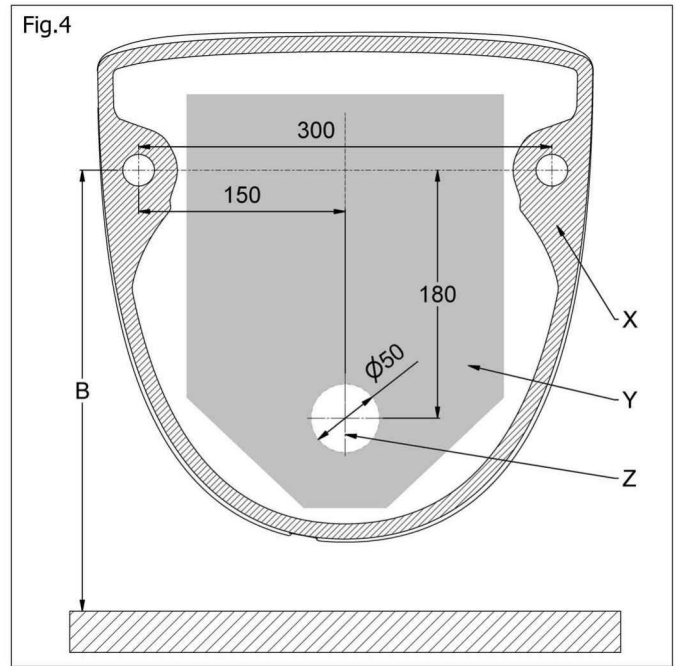
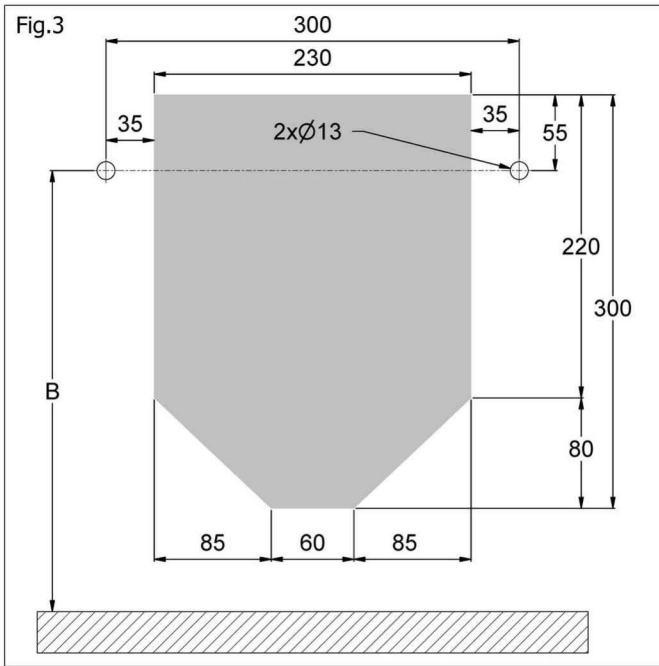
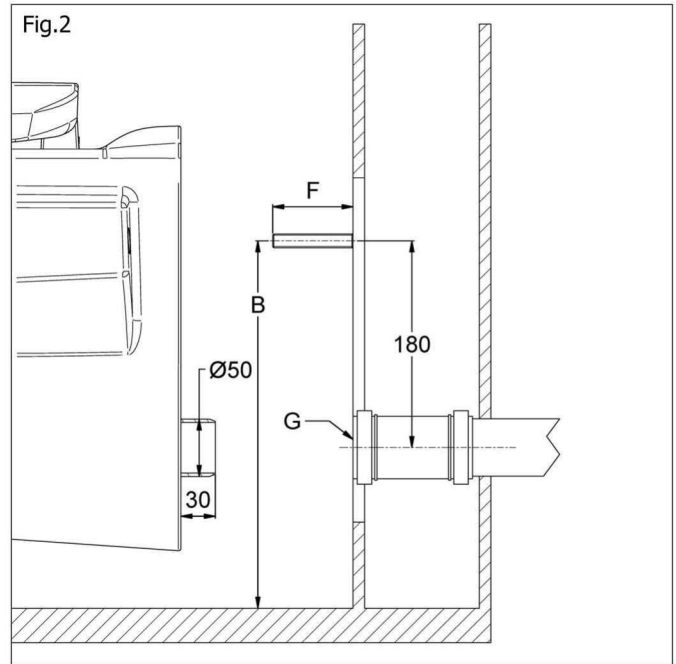
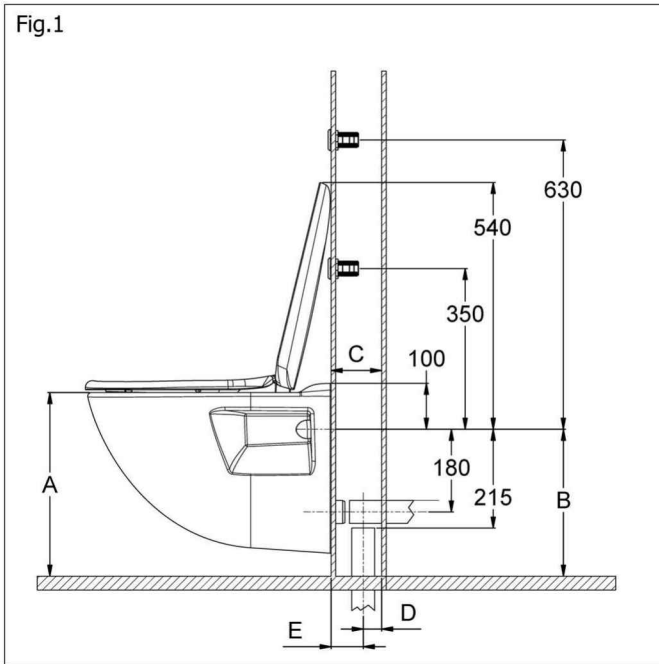
* Component/s available as replacement parts.

Accessories

Construction Characteristics

Vacuum Breaker Kit.....	034507320
Pipe Interruptor Kit.....	034507325
Rubber Elbow, ø50 w/Hose Clip.....	034505450
Rubber Sleeve, ø50 w/Hose Clip.....	034505550
Rubber Elbow, ø50/ø60 w/Hose Clip.....	034512802
Rubber Sleeve, ø50/ø60 w/Hose Clip.....	034512902
Rag Hook, 15mm w/support.....	034102902
Rag Hook, 25mm w/support.....	034102904
Bracket, retrofit toilet.....	069000300
Adapter, retrofit toilet.....	069000306
Adapter, retrofit toilet.....	069000307
Adapter, retrofit toilet.....	069000308
Fastening Kit, wall - Land.....	069606302
Pipe Packet.....	034399400
Bend 50mm x 87,5dg.....	034512622
Double socket, 50mm.....	034512625
Vacuum Outlet, ø50 - ø12.....	069000410

Dimension Drawings



A.....(see note) 410mm
 B.....(see note) 320mm
 C.....E + D

D.....(minimum) 40mm
 E.....70mm
 F..... Bolt length outside finished wall surface 70mm
 G..... Flush to finished wall surface 0mm

Note:
 Recommended mounting bolt height (B) is 320mm. This will give you a porcelain height (A) of approximately 410mm.
 If a different mounting bolt height (B) is selected, the porcelain height (A) will change.

- Fig 1-2 Pipe Connection Dimensions
 Measurements (E) and (D) in Fig.1 are based on use of a Jets™ rubber elbow.
- Fig. 3 Cutout Dimensions
- Fig. 4 Shows the porcelain (X), vacuum pipe (Z) and the position of the cutout (Y).